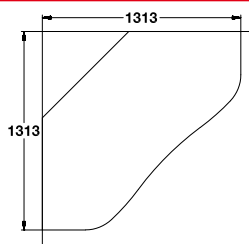




COMPUTER-SCHREIBTISCH

CS 190 E * - with ABS edges

W 73 x H 28,70/33,90 x D 41,90"
W 1856 x H 730/862 x D 1063 mm
Side length 51,70"/1313 mm



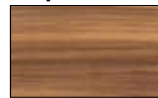
maple finish



beech finish



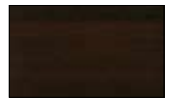
oiled oak finish



walnut finish

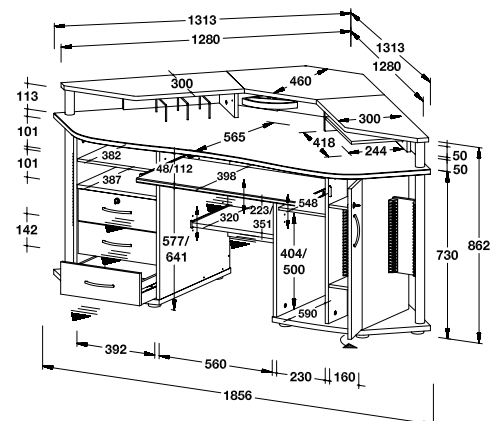


sahara finish (noce)



dark oak finish

- monitor top unit with **pencil tray, pivoting** and storage compartments
- **on left/right:** 2 metal columns with holder for **48 CD-ROM**
- **on left:** storage compartment with adjustable shelf, **variable**
- 3 drawers, 1 of them **lockable**
- **in the middle:** 1 large telescopic shelf for keyboard and mouse, **variable**
- 1 telescopic shelf for printer, **variable**
- **on right:** 1 tower compartment with adjustable shelf, **variable**
- 1 compartment with holder for **24 CD-ROM** and door, lockable



measurements in mm



*E 1 chip boards, melamine resin coated
Decor: finish

*Model protected by european design patent